

54. . 12. . 1) ( " . " ,  
 . 124/12, 14/15 68/15),  
 . 03-4458 08.06.2016. ), . 1.3.52, (

. 1

I) VII  
 II M , . 28/37 . 1. ( - ,  
 , d=6mm), :

d=6 )	(				
ø40	30/2. d=2mm	" "	" "	" "	
8.	8/4 ( )	" "	" "	" "	
				5	

II) . 37/37

28/37

. 1. . 2. 3. . 10.

, 09.06.2016.

	<p>d=6 ( )</p> <p>30/2. d=2mm</p> <p>ø40 " "</p> <p>8/4</p> <p>8. " "</p>		5		
					II:
					:
					____% :
					:

A  
B

\_\_\_\_\_  
\_\_\_\_\_

\_\_\_\_\_

\_\_\_\_%

\_\_\_\_\_  
\_\_\_\_\_

\_\_\_\_\_

\_\_\_\_\_

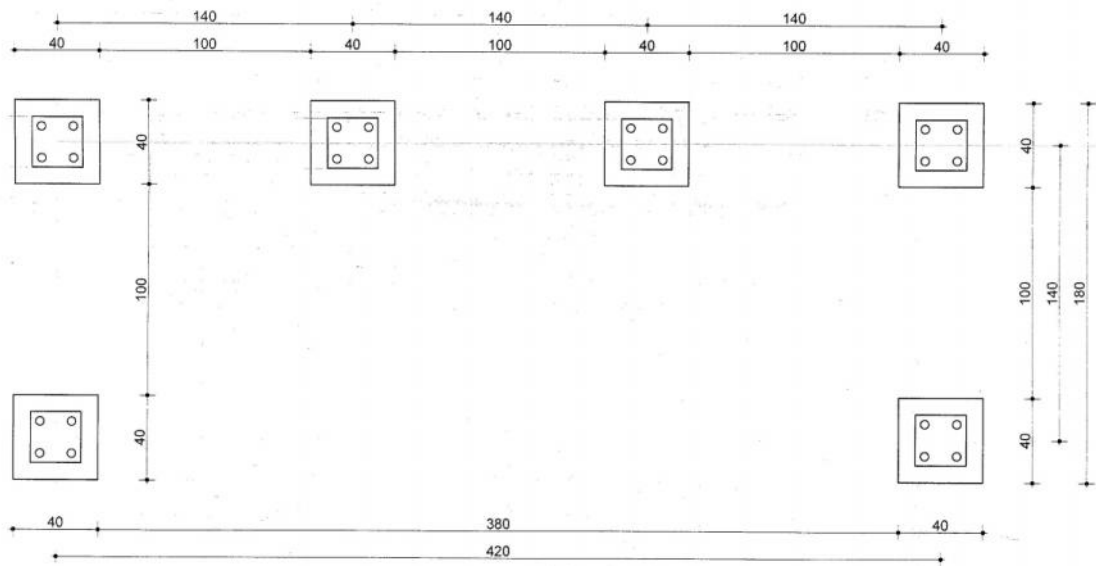
\_\_\_\_.\_\_\_\_. 2016.

( )

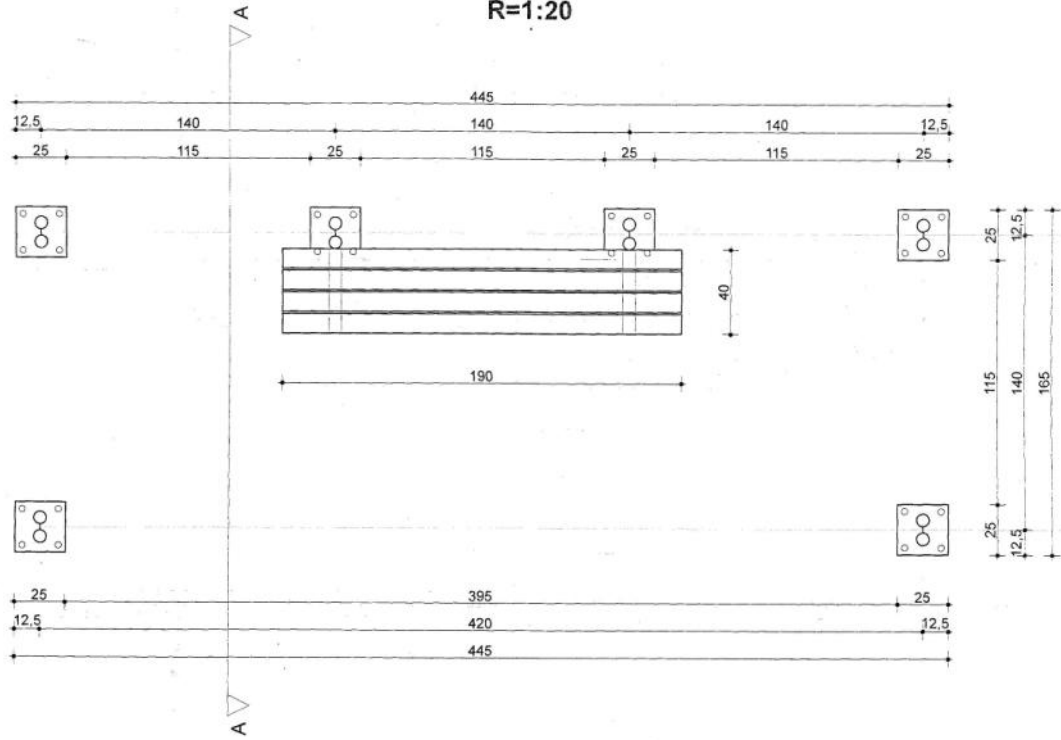
\_\_\_\_\_:



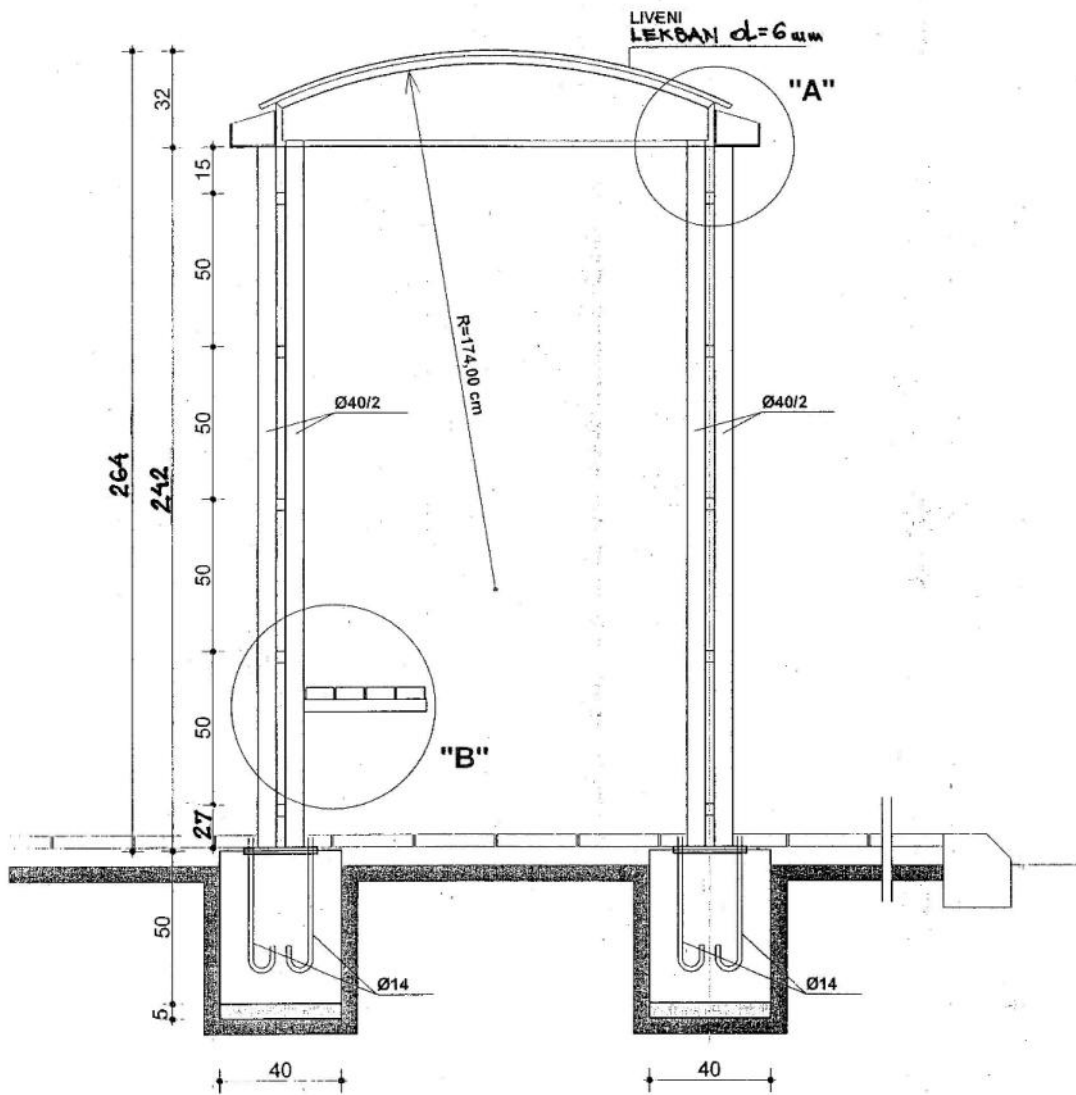
OSNOVA TEMELJA  
R=1:20



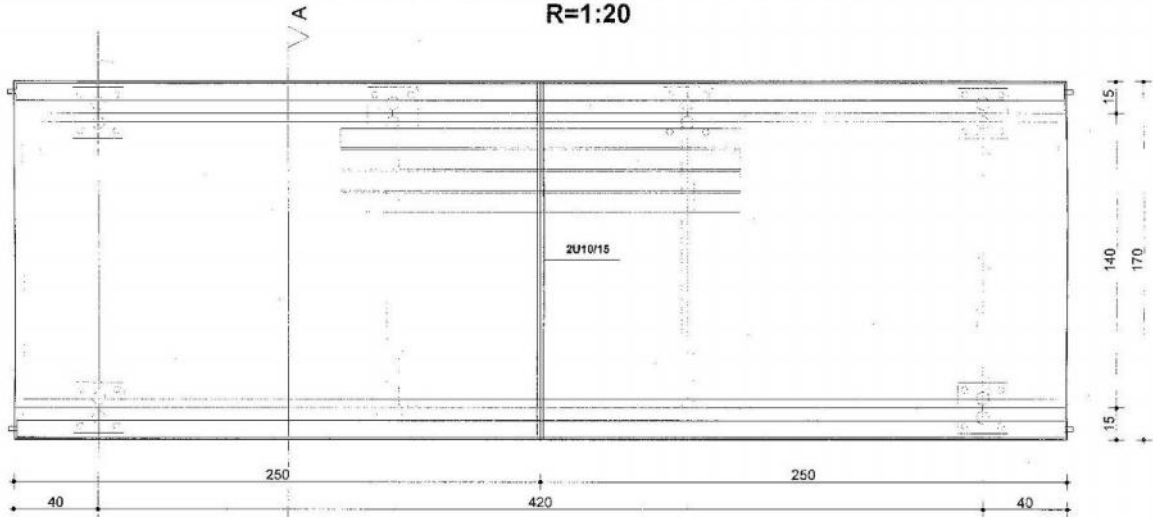
HORIZONTALNA PROJEKCIJA AUTOBUSKOG STAJALIŠTA  
R=1:20



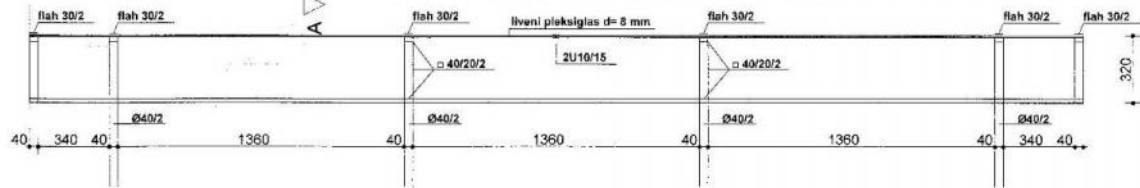
PRESEK A - A  
R=1:20

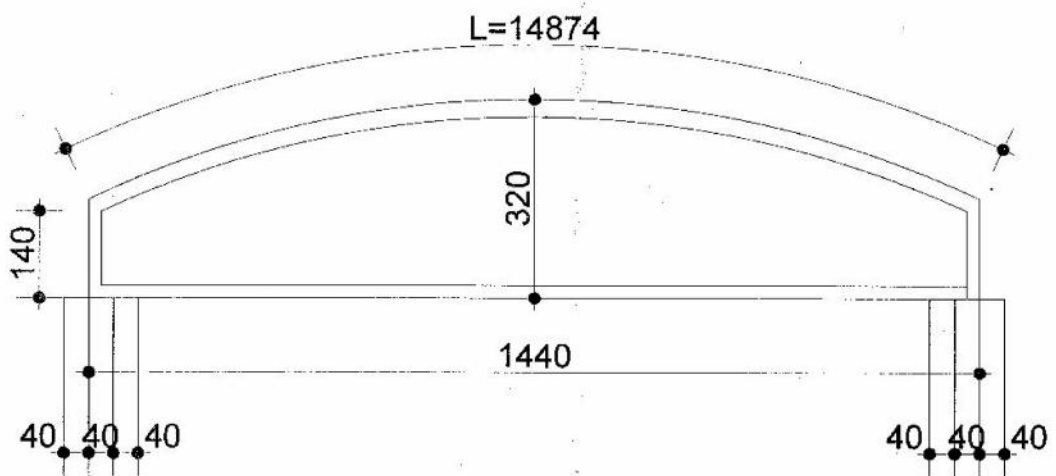


OSNOVA KROVA AUTOBUSKOG STAJALIŠTA  
R=1:20

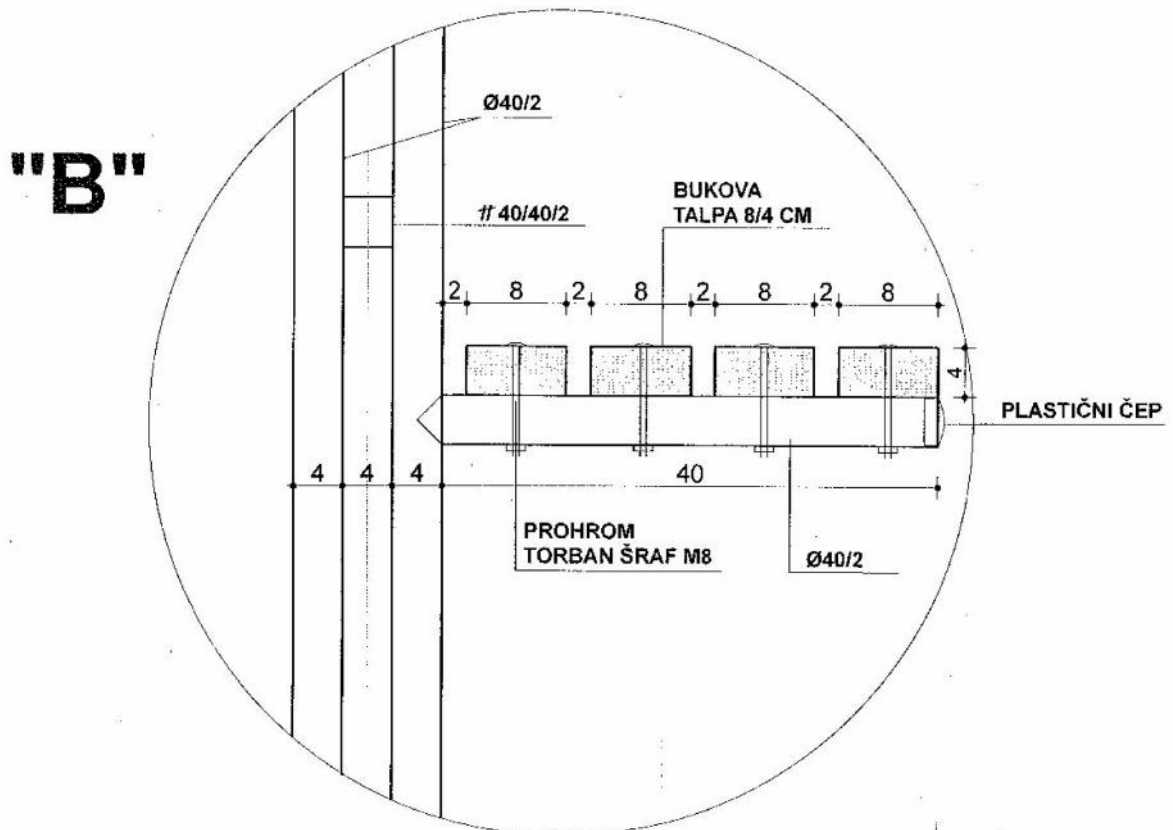
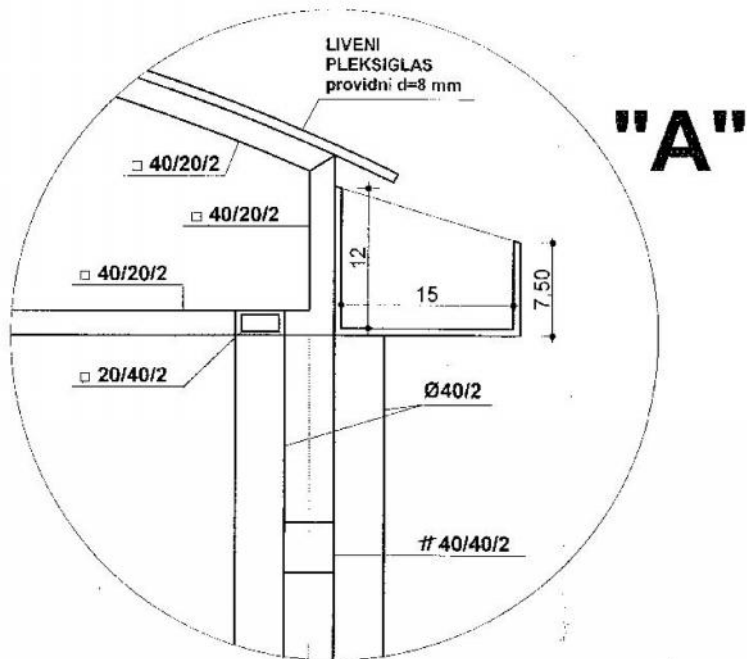


PODUŽNI PRESEK KROVA R= 1:20









## DETALJ ANKERNE PLOČE R= 1:10

